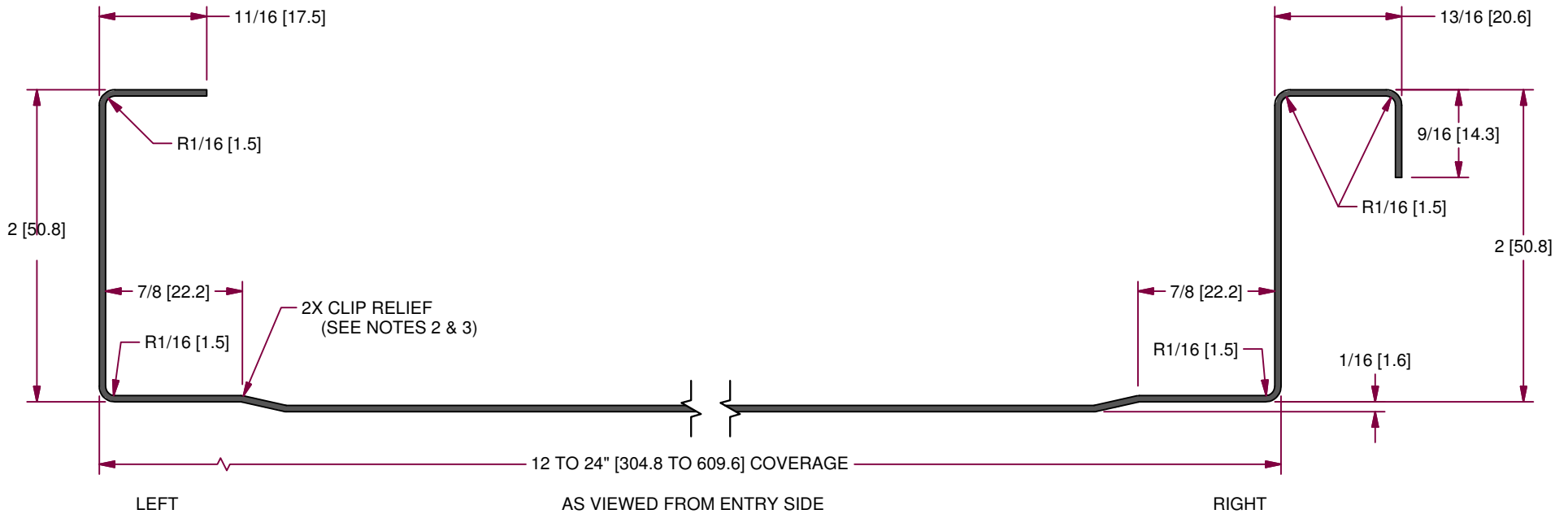
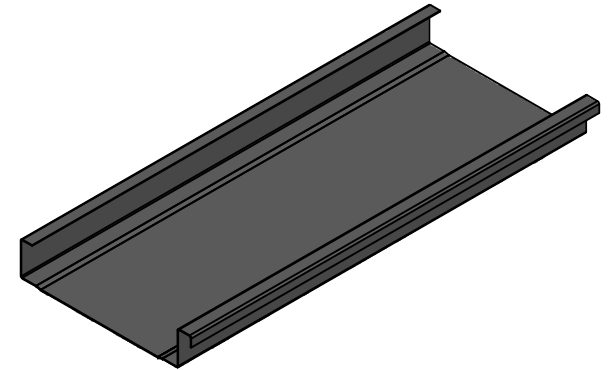


# 2 Inch Mechanical Seam Without Return



NOTES:

- 1. MATERIAL USAGE: APPROX. 5-13/16" [147.6]
- 2. CLIP RELIEF ROLLERS ARE STANDARD WITH THIS PANEL.
- 3. PANEL IS SHOWN WITH CLIP RELIEF ROLLERS ENGAGED.
- 4. OPTIONAL MINOR BEAD RIB OR STRIATIONS AVAILABLE.
- 5. DUAL DIMENSIONS: Inch [mm]



Part Number: SP2-200P