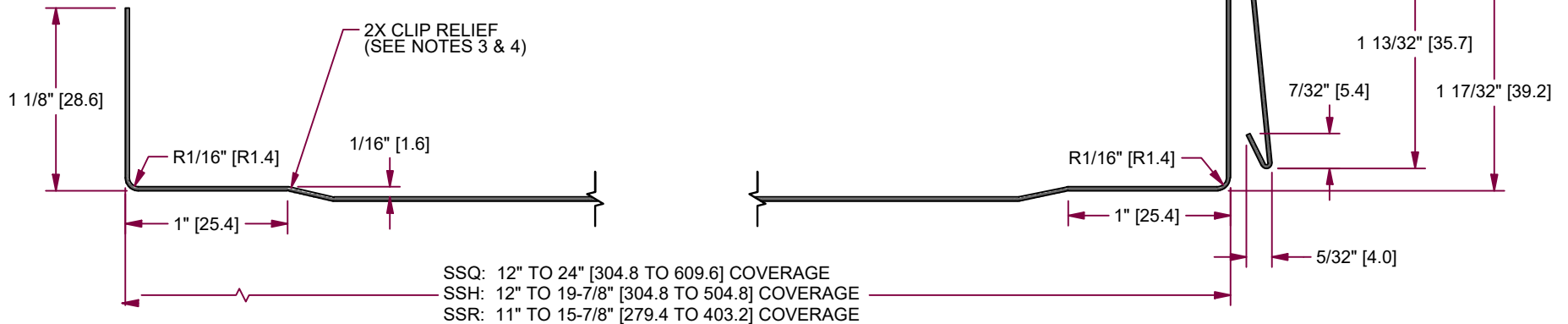
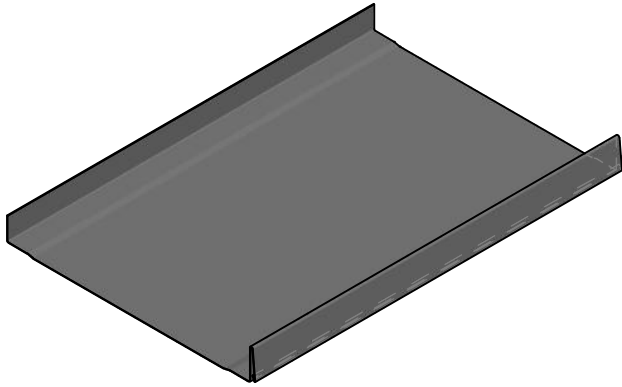


1.5 Inch Snap Lock Roof Panel Straight Edge



- NOTE:
1. MATERIAL USAGE: 4 1/8" [104.8] APPROX.
 2. CLIP RELIEF ROLLERS ARE STANDARD WITH THIS PANEL.
 3. PANEL IS SHOWN WITH CLIP RELIEF ROLLERS ENGAGED.
 4. OPTIONAL MINOR BEAD RIB OR STRIATIONS AVAILABLE.
 5. DUAL DIMENSIONS: Inch [mm]

AS VIEWED FROM ENTRY SIDE

Part Number: SS4-450P