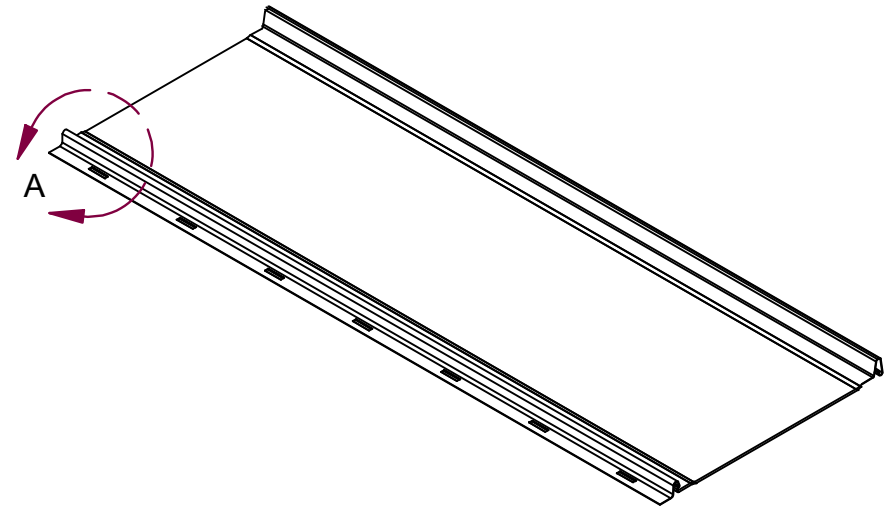
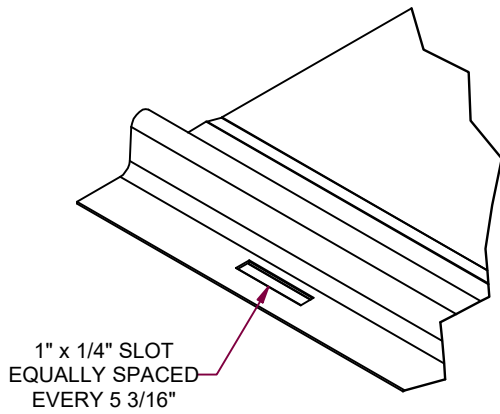
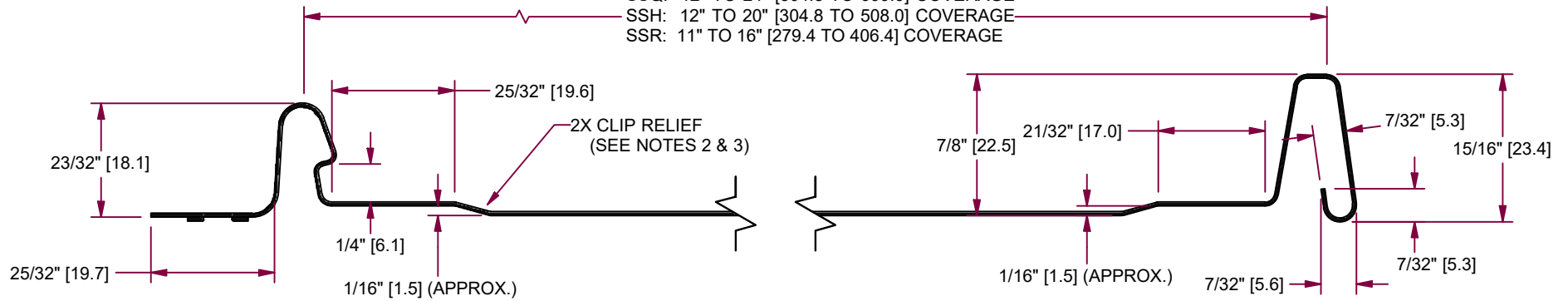


# 1 Inch Snap Lock Concealed Direct Fasten Roof Panel



SSQ: 12" TO 24" [304.8 TO 609.6] COVERAGE  
 SSH: 12" TO 20" [304.8 TO 508.0] COVERAGE  
 SSR: 11" TO 16" [279.4 TO 406.4] COVERAGE



- NOTES:
1. MATERIAL USAGE: 4 1/16" APPROX.
  2. CLIP RELIEF ROLLERS ARE STANDARD WITH THIS PANEL.
  3. PANEL IS SHOWN WITH CLIP RELIEF ROLLERS ENGAGED.
  4. DUAL DIMENSIONS: Inch [mm]

Part Number: FF1-FF1